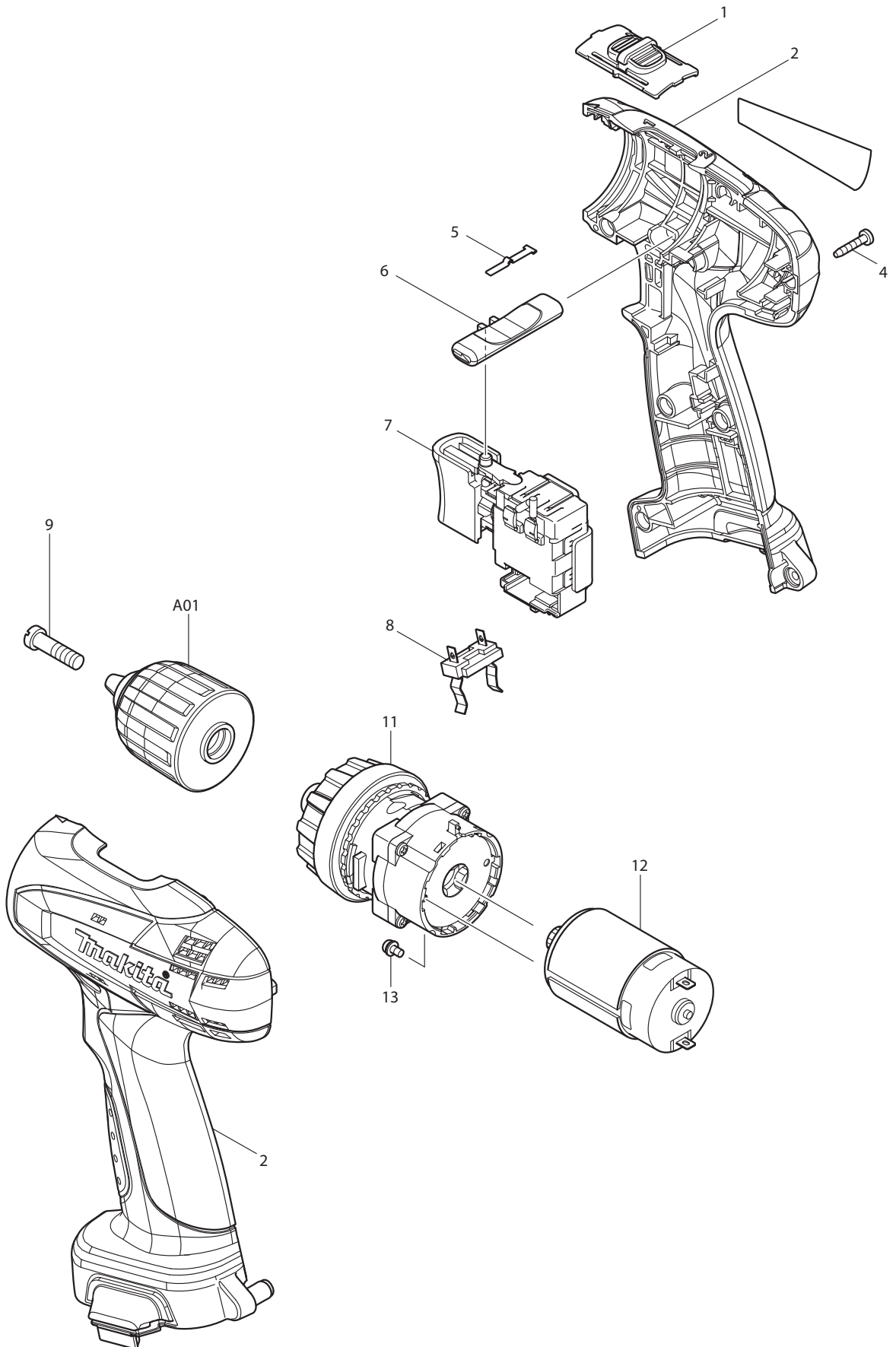




11 - 2009
6261DWPE
9.6V - 3/8" DRIVER DRILL KIT



Item No	Type	Ref	Part No	Description	Qty	Unit
1			125310-5	SPEED CHANGE LEVER ASS'Y	1	PC.
		INC.	231433-0	COMPRESSION SPRING 4	2	PC.
2	1		188510-8	HOUSING SET	1	SET
	2		187299-5	HOUSING SET	1	SET
4			266130-9	TAPPING SCREW BIND PT 3X16	9	PC.
5			232182-2	LEAF SPRING	1	PC.
6			450584-2	F/R CHANGE LEVER	1	PC.
7	1		650601-0	SWITCH TG563FSB-2	1	PC.
	2		650663-8	SWITCH TG563FSB-2	1	PC.
	3		650672-7	SWITCH TG563FSB-2	1	PC.
8			643909-9	BATTERY HOLDER	1	PC.
9			251468-5	- FLAT HEAD SCREW M6X22	1	PC.
11			125482-6	GEAR ASS'Y	1	PC.
12			629815-2	DC MOTOR	1	PC.
13			911003-8	PAN HEAD SCREW M3X6	2	PC.

ACCESSORIES

A01	1		766002-3	3/8" KEYLESS DRILL CHUCK BULK	1	PC.
	2		196309-7	3/8" KEYLESS DRILL CHUCK PKG	1	PC.
A02	1		DC1414	CHARGER DC1414(7.2-14.4V/1.3-3.0AH)	1	PC.
	2		DC1804	CHARGER DC1804 (7.2V - 18V/1.3 - 3.0AH)	1	PC.
			DC1822	12V AUTOMOTIVE CHARGER DC1822(7.2V-18V/1.3 ~ 3.0AH)	1	PC.
A03			638344-4-2	9.6V NI-CAD BATTERY PA09 2/PK	1	PK
			638344-4	9.6V NI-CAD BATTERY PA09-BULK	1	PC.
A04			414938-7	BATTERY COVER	1	PC.
A05			784636-0	(+/-) BIT 2-65	1	PC.
A06			824852-3	PLASTIC CARRYING CASE	1	PC.
		INC.	419360-3	HANDLE (PLASTIC)	1	PC.
		INC.	163455-1	LATCH (METAL)	1	PC.